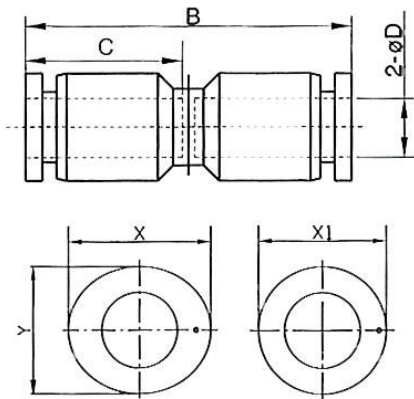


Push-in fittings series manufactured in plastic and nickel-plated brass.
All parts are suitable for use with hoses, tubes or pipes made of plastic and copper.

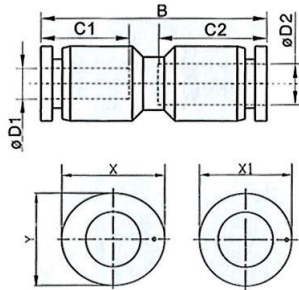
Working pressure:	-0.95 - 10 bar
Max. working pressure short term:	15 bar*
Material:	Plastic and nickel-plated brass
Pressure ring:	Plastic
Temperature range:	-20 °C to 80 °C
Sealing surface:	Parallel version: O-ring in housing Conical version: PTFE thread coating
Medium:	Compressed air, neutral and safe gases and liquids*
Recommended hose:	PU or PA (nylon)



135.008

Union

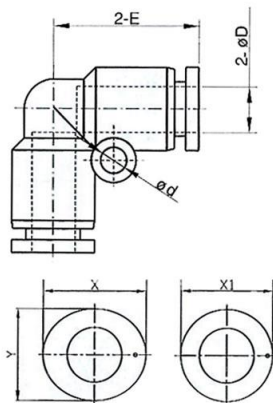
Art. No.	Type No.	Ø D	B	X	Y	X1	C
109793	135.004	4	33.0	11.9	10.5	10.0	14.9
109794	135.006	6	34.6	13.9	12.5	12.0	15.4
109795	135.008	8	38.5	15.9	13.9	14.0	18.2
109796	135.010	10	47.0	19.5	17.0	17.0	21.0
109797	135.012	12	48.6	23.0	20.5	20.0	22.9
109798	135.014	14	48.7	-	-	-	21.0
109799	135.016	16	64.0	27.0	24.0	26.0	32.0
109799 = discontinued product. No longer available. New product 152122 (135.016-1)							
152122	135.016-1	16	49.6	-	-	-	24.8



136.0806

Union, unequal

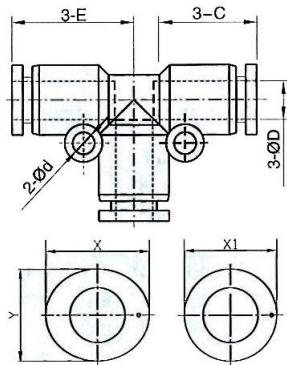
Art. No.	Type No.	Ø D1	Ø D2	B	X	Y	X1	C1	C2
109800	136.0604	6	4	31.0	12.0	10.5	10.0	15.4	14.9
109801	136.0804	8	4	36.5	-	-	-	18.0	15.5
109802	136.0806	8	6	34.5	14.0	12.5	12.0	17.8	15.4
109803	136.1006	10	6	40.2	-	-	-	19.3	15.6
109804	136.1008	10	8	39.4	17.0	13.9	14.0	21.0	17.8
109805	136.1208	12	8	45.0	-	-	-	21.0	18.0
109806	136.1210	12	10	44.2	20.0	17.0	17.0	22.9	21.0
109807	136.1612	16	12	63.0	23.0	20.5	27.0	19.1	19.0



137.008

Union elbow

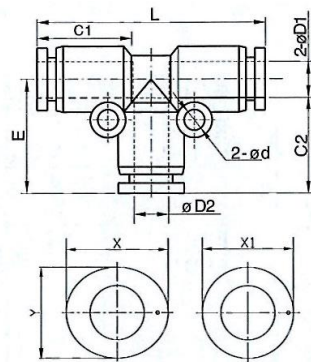
Art. No.	Type No.	Ø D	Ø d	E	X	Y	X1	C
109814	137.004	4	-	17.5	11.9	10.5	10.0	14.9
109815	137.006	6	3.2	18.7	13.9	12.5	12.0	15.4
109816	137.008	8	3.2	22.4	15.9	13.9	14.0	17.8
109817	137.010	10	4.2	27.2	19.5	17.0	17.0	20.7
109818	137.012	12	4.3	28.9	23.0	20.5	20.0	22.9
109819	137.014	14	4.0	29.8	-	-	-	22.5
109820	137.016	16	-	33.0	26.0	24.0	26.0	-



138.008

Union tee

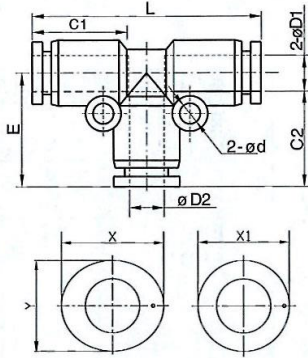
Art. No.	Type No.	Ø D	Ø d	E	X	Y	X1	C
109827	138.004	4	3.3	18.5	11.9	10.5	10.0	14.9
109828	138.006	6	3.3	19.0	13.9	12.5	12.0	15.4
109829	138.008	8	3.3	22.5	15.9	13.9	14.0	17.8
109830	138.010	10	4.3	27.9	19.5	17.0	17.0	21.0
109831	138.012	12	4.3	29.3	23.0	20.5	20.0	22.9
109832	138.014	14	4.0	31.0	-	-	-	22.5
109833	138.016	16	4.0	32.5	27.0	24.0	26.0	21.5



138.0604

Union tee, unequal

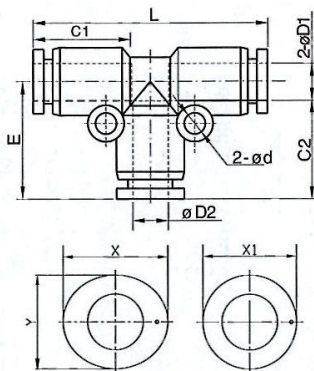
Art. No.	Type No.	C1	C2	Ø d	E	L	Ø D1	Ø D2	X	Y	X1
109835	138.0604	15.4	14.9	3.3	19.0	-	6	4	13.9	12.0	10.0
109837	138.0804	18.0	15.5	3.2	-	-	8	4	-	-	-
109838	138.0806	17.8	15.4	3.3	22.5	-	8	6	15.9	14.0	12.0
109840	138.1006	22.0	15.5	4.2	-	-	10	6	-	-	-
109841	138.1008	21.0	17.8	4.3	27.9	-	10	8	19.5	17.0	14.0
109843	138.1208	23.0	18.0	4.2	-	-	12	8	-	-	-
109844	138.1210	22.9	21.0	4.3	29.3	-	12	10	23.0	20.0	17.0
109845	138.1612	32.5	-	4.3	-	65.0	16	12	-	-	-



138.0406

Union tee, two unequal connector on the side

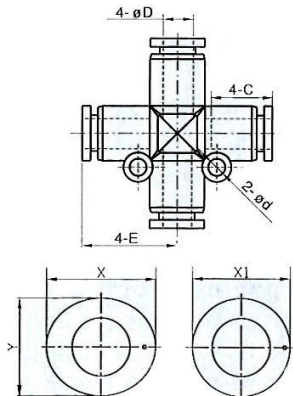
Art. No.	Type No.	C1	C2	Ø d	E	L	Ø D1	Ø D2	X	Y	X1
109834	138.0406	14.9	15.4	3.3	19.0	38.0	4	6	13.9	12.0	10.0
109836	138.0608	15.4	17.8	3.3	22.0	44.5	6	8	15.9	14.0	12.0
109839	138.0810	17.8	21.0	4.3	27.5	54.8	8	10	19.5	17.0	14.0
109842	138.1012	21.0	22.9	4.3	28.9	58.2	10	12	23.0	20.0	17.0
135762	138.1216	22.9	24.0	4.3	32.5	63.6	12	16	23.0	24.0	27.0



288.0406

Union tee, one unequal connector each on the side and in the center

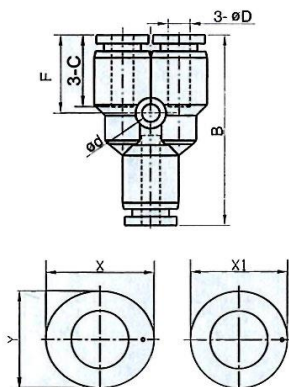
Art. No.	Type No.	L	E	C1	C2	Ø d	Ø D1	Ø D2
109846	288.0406	38	19	15,9	15,4	3,3	6	4



139.008

X-union

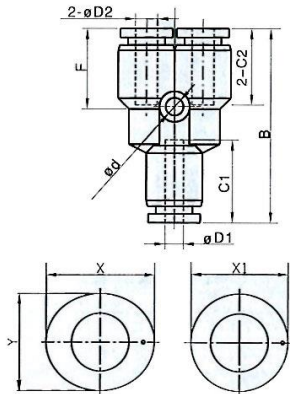
Art. No.	Type No.	∅ D	∅ d	E	X	Y	X1	C
109861	139.004	4	3.2	17.5	11.9	10.5	10.0	14.9
109862	139.006	6	3.2	19.0	13.9	12.5	12.0	15.7
109863	139.008	8	3.2	22.8	15.9	13.9	14.0	17.8
109864	139.010	10	4.2	27.9	19.5	17.0	17.0	20.5
109865	139.012	12	4.3	29.3	23.0	20.5	20.0	22.9



140.008

Y-union

Art. No.	Type No.	∅ D	∅ d	B	F	C	X	Y	X1
109847	140.004	4	3.3	35.5	14.0	14.9	11.9	10.5	10.0
109848	140.006	6	3.3	36.5	14.8	15.7	13.9	12.5	12.0
109849	140.008	8	3.3	39.8	17.8	17.8	15.9	13.9	14.0
109850	140.010	10	4.3	48.9	20.6	20.7	19.5	17.0	17.0
109851	140.012	12	4.3	52.6	29.3	22.9	23.0	20.5	20.0
109852	140.014	14	4.0	54.6	20.8	22.5	-	-	-
109853	140.016	16	4.3	61.0	21.6	18.5	27.0	24.0	25.0



141.008

Y-union, unequal

Art. No.	Type No.	Ø D1	Ø D2	Ø d	B	F	X	Y	X1
109854	141.006	6	4	3.3	36.5	14.0	13.9	12.5	12.0
109855	141.0804	8	4	2.8	42.0	17.0	-	-	-
109856	141.008	8	6	3.3	39.8	14.5	15.9	13.9	14.0
109857	141.1006	10	6	3.2	43.8	16.0	-	-	-
109858	141.010	10	8	3.3	48.9	17.9	19.5	17.0	17.0
109859	141.1208	12	8	4.0	52.0	20.5	-	-	-
109860	141.012	12	10	4.3	52.6	20.8	23.0	20.5	20.0
135763	141.1612	16	12	4.3	56.3	21.3	-	-	27.0

Art. No.	Type No.	C1	C2	X2	Y2	Y3
109854	141.006	15.4	14.9	11.9	10.5	10.0
109855	141.0804	18.0	15.5	-	-	-
109856	141.008	17.8	15.4	13.9	12.5	12.0
109857	141.1006	19.3	15.6	-	-	-
109858	141.010	19.5	17.8	15.9	13.9	14.0
109859	141.1208	21.0	18.0	-	-	-
109860	141.012	20.5	19.5	19.5	17.0	17.0
135763	141.1612	25.0	22.6	23.0	20.5	-

*The suitability test for the individual application is the user's responsibility.